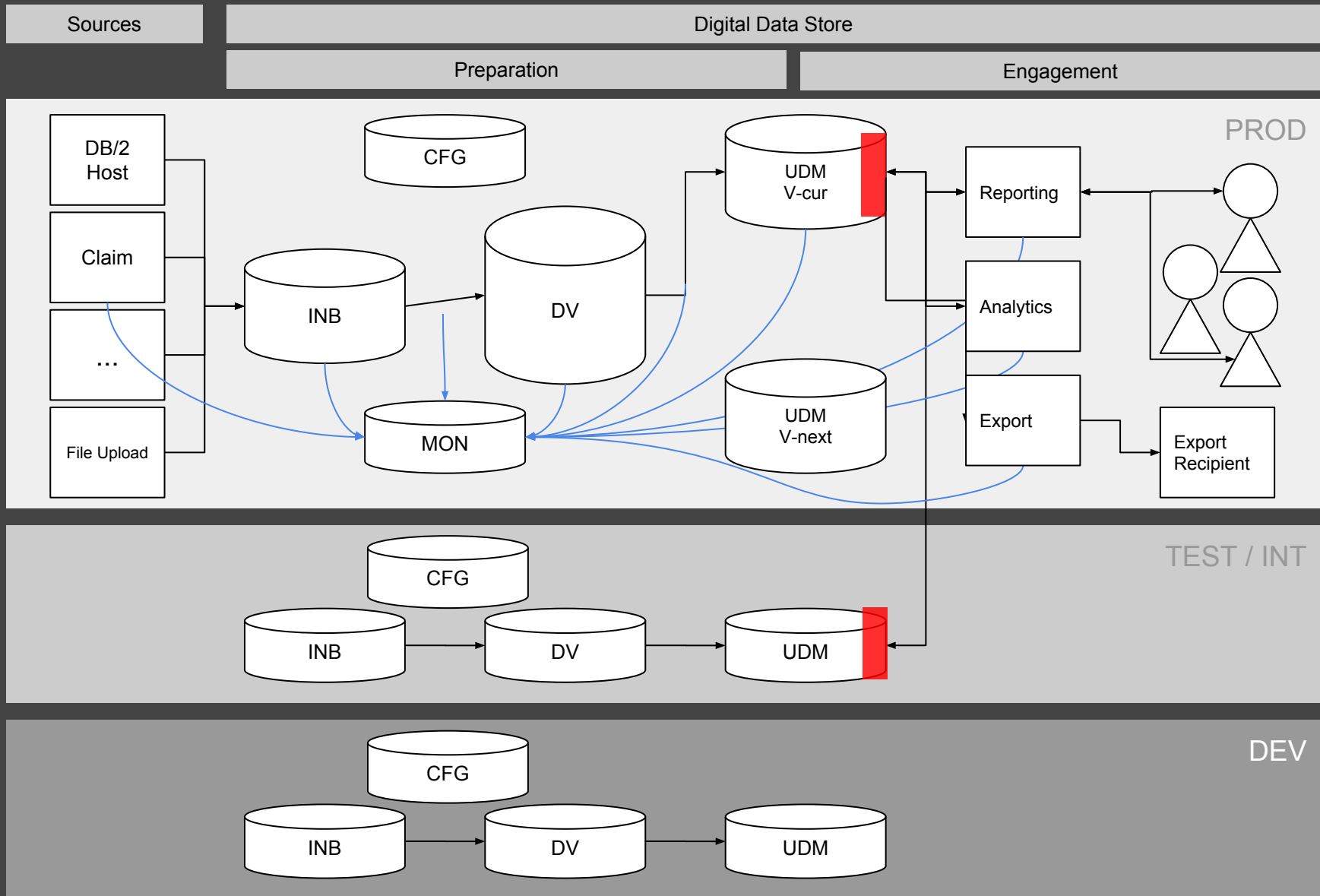


D | **ONE**

WE MAKE SENSE.

Digitize the Data Store

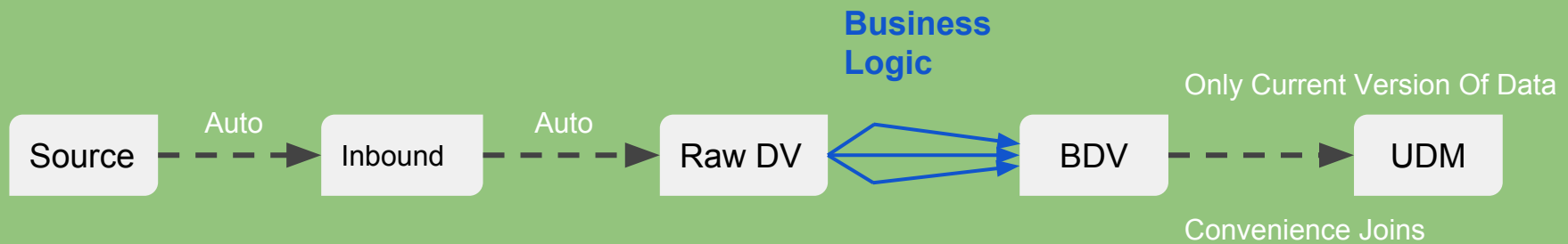
Ruben Wolff, D ONE Consultant



Largest Work Packages in DWH Projects

1. Onboarding
2. ETL Mapping Development
3. Load Management
4. Deployment

A Single Location for Business Logic



Largest Work Packages in DWH Projects

1. Onboarding
2. **ETL Mapping Development**
3. Load Management
4. Deployment

Steps to Add A new Table to your DWH

1. **Source System Connection Details**
2. **Source System Table Selection**
3. **Source to INB ETL**
4. **INB Schema**
5. **Raw Data Vault Satellite Schema**
6. **Unique Column Set aka Business Key**
7. **Raw Data Vault Hub Schema**
8. **Hub Hashkey compute line in every ETL step**
9. **INB to RDV ETL Satellite**
10. **INB to RDV ETL Hub**
11. **BDV Business Key**
12. **BDV Satellite DDL**
13. **BDV Hub DDL**
14. **RDV to BDV Satellite ETL Mapping**
15. **RDV To BDV Hub ETL Mapping**
16. **RDV to BDV Delta Logic**
17. **RDV Current Views**
18. **UDM DDL**
19. **BDV to UDM ETL Mapping**
20. **BDV to UDM Delta Logic**

Steps to Add A new Table to your DWH

1. Source System Connection Details

2. Source System Table Selection



3. Unique Column Set aka Business Key



4. BDV Business Key



5. RDV to BDV Satellite ETL Mapping



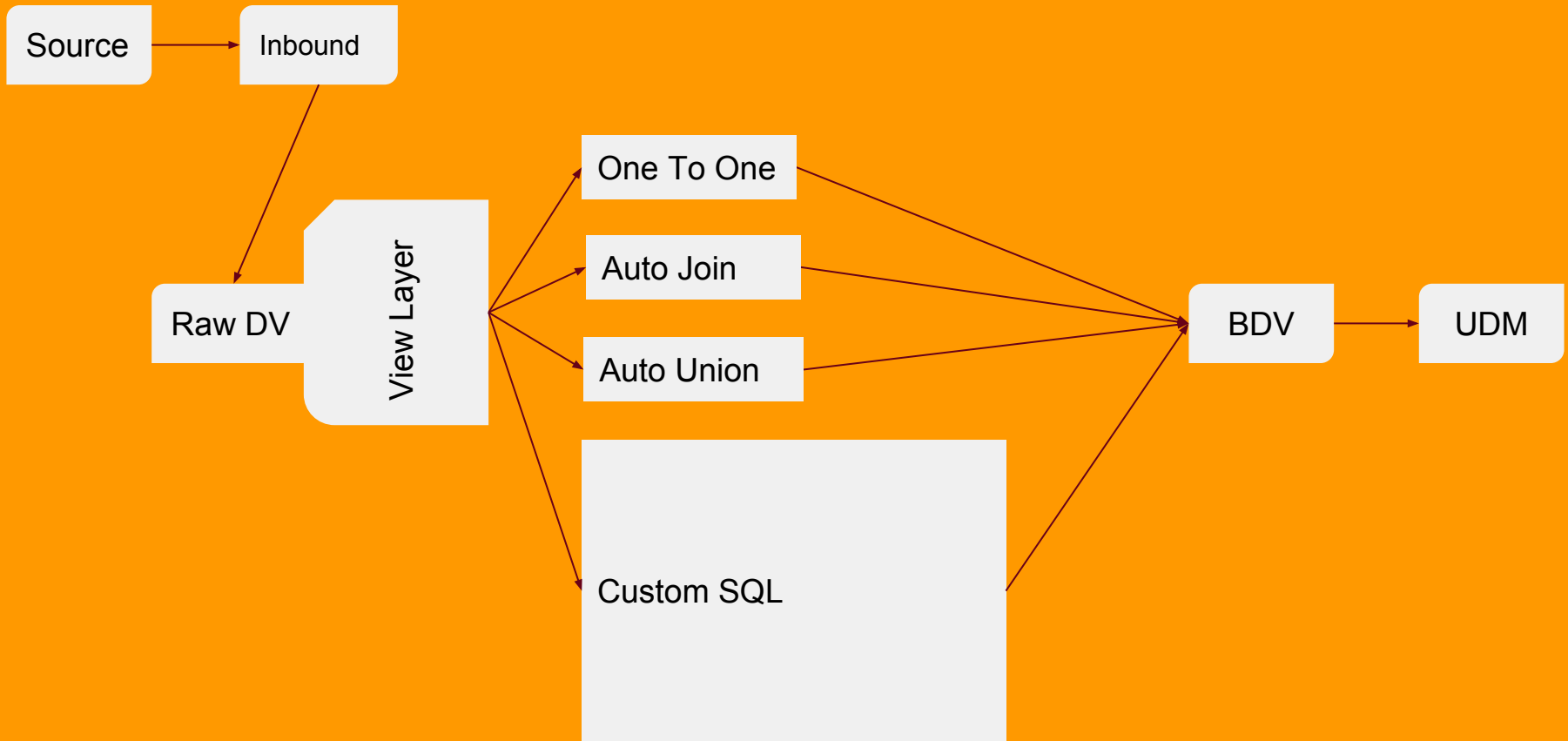
Let Your ETL Experts Work on the Essentials

1. **Source System Connection Details**
2. **Source System Table Selection**
3. **Unique Column Set aka Business Key (If different from source Primary key)**
4. **BDV Business Key (If Different from RDV)**
5. **RDV to BDV ETL Mapping**

Let Your ETL Experts Work on the Essentials

1. Source System Connection Details
2. Source System Table Selection
3. Unique Column Set aka Business Key (If different from source Primary key)
4. BDV Business Key (If Different from RDV)
5. RDV to BDV ETL Mapping

1. RDV to BDV :
 - a. Rename Columns
 - b. Change Data Types
 - c. Logic :
 - i. One To One
 - ii. Join
 - iii. Union
 - iv. Custom SQL



Largest Work Packages in DWH Projects

1. Onboarding
2. ETL Mapping Development
- 3. Load Management**
4. Deployment

Automate The Load

Tasks to add a new table to the DWH loading workflow.

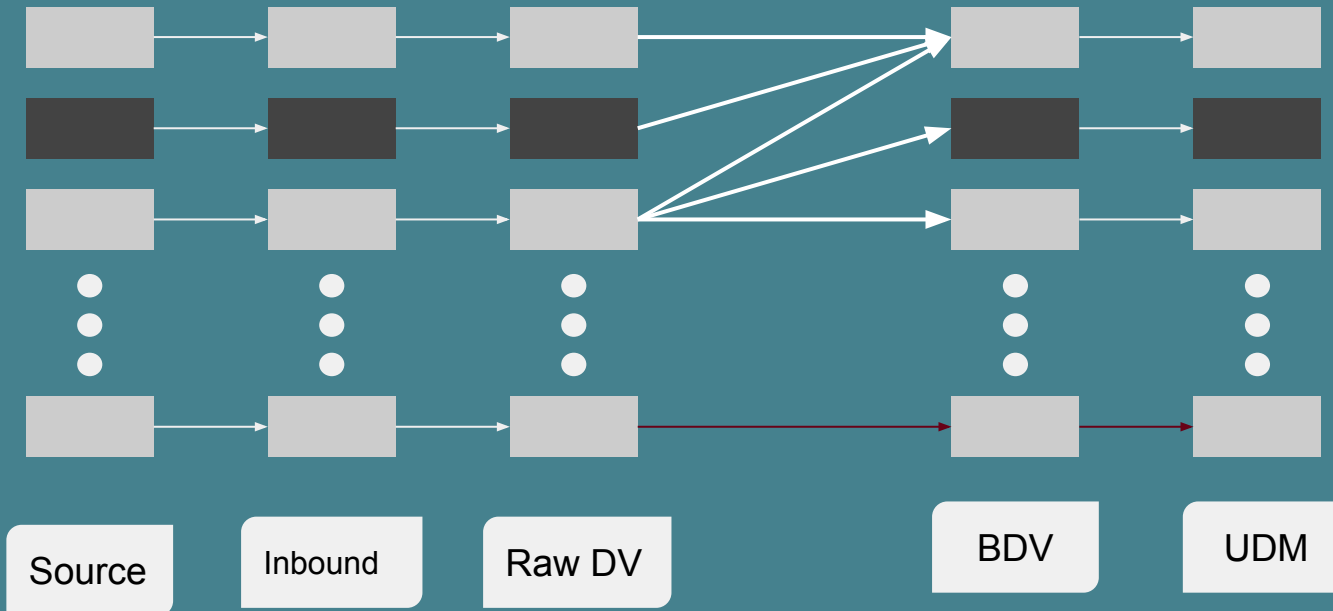
1. **Add new Source system connection (If System new)**
2. **Add all required source tables to source load workflow**
3. **Add source tables to RDV load workflow**
4. **Add newly mapped outcome table to BDV workflow**
5. **Add outcome table to UDM workflow**

Automate The Load

Tasks to add a new table to the DWH loading workflow.

```
1. Add a new source table (e.g. 'Sales')  
2. Add an required source table to source load workflow  
3. Add source table to the load workflow  
4. Add newly mapped source table to ETL workflow  
5. Add source table to the DWH table
```

Automate The Load

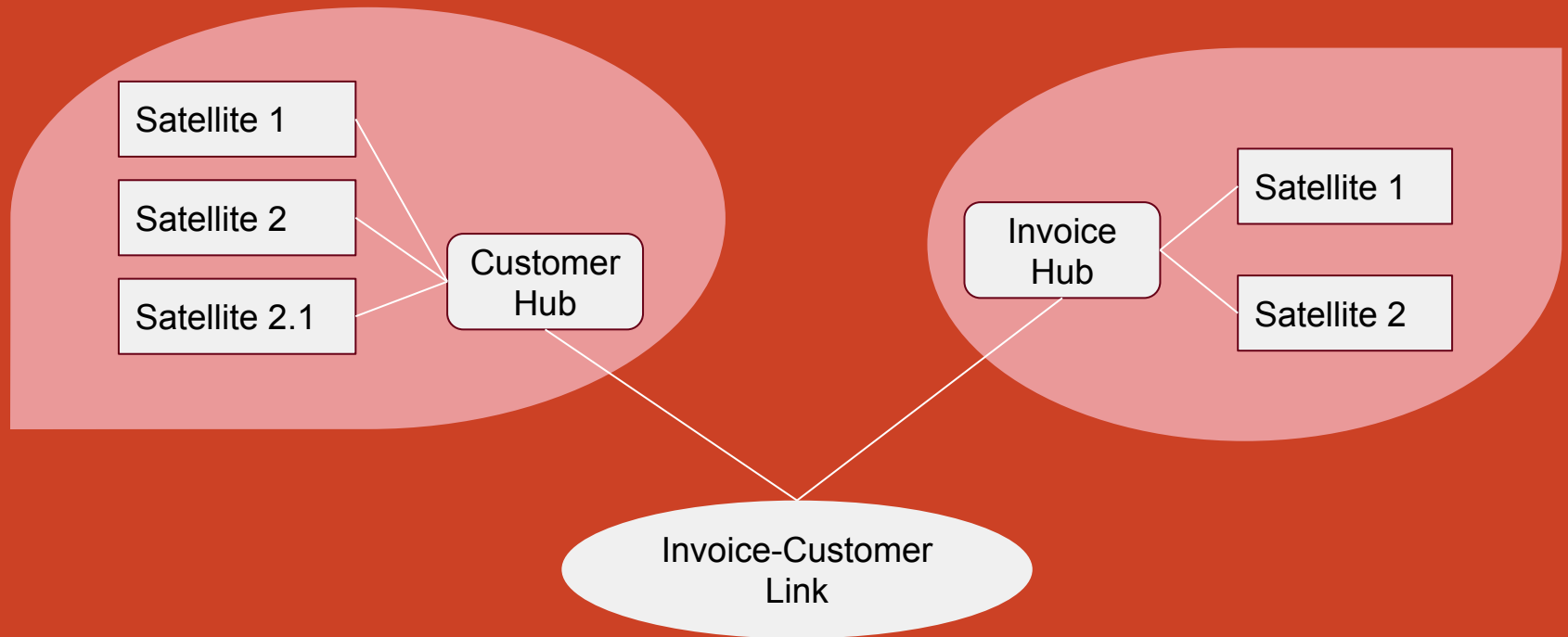


All 4 loading steps are run completely in parallel. There are no dependencies between tables in any loading step

Largest Work Packages in DWH Projects

1. Onboarding
2. ETL Mapping Development
3. Load Management
4. **Deployment**

Data Vault



Conclusion, Real Productivity Gain

Take Away

To digitize is to digitize all the way down.